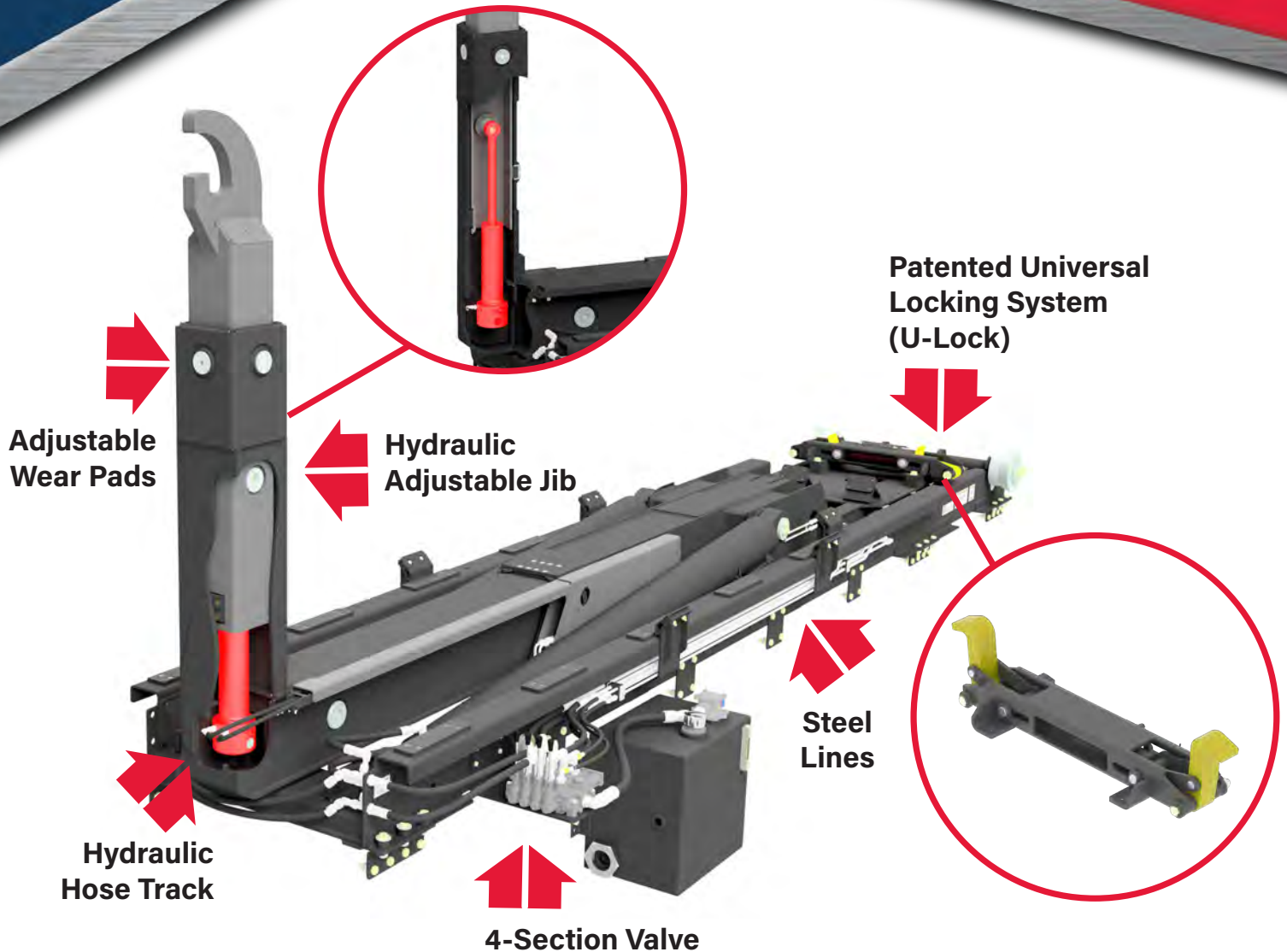




# SL-520X

HYDRAULIC ADJUSTABLE JIB



## FEATURES INCLUDE

- ↔ 50,000 lb. Dump/Lift Capacity
- ↔ Hydraulic Adjustable Jib 53-7/8" or 61-3/4" Hook Height Option
- ↔ Potential Body Length: 17' - 24'
- ↔ Slide-through Body Lock or Optional Patented Universal Body Lock
- ↔ Powder Coat Finish
- ↔ Dual Lift/Dump Cylinders
- ↔ Dual Rear Pivot Section
- ↔ 5-yr. Limited Warranty



# SL-520X

## SPECIFICATIONS

MODEL		SL-520X	
MODEL DESCRIPTION	LIFT/DUMP CAPACITY (INCLUDING CONTAINER)	50,000 lb	
	DUMP ANGLE	60°	
	HOIST WEIGHT**	FIXED	6,200 lb
		ADJ.	6,340 lb
HYD. ADJ.		6,430 lb	
GENERAL DIMENSIONS	HOOK TO REAR ROLLER	222.75"	
	HOOK HEIGHT	FIXED	61.75"
		ADJ.	61.75" / 53.88"
		HYD. ADJ.	61.75" / 53.88"
	HOIST HEIGHT	11.5"	
	HOIST CG	115.0"	
	OPTIMUM BODY LENGTHS	20' - 22'	
POTENTIAL BODY LENGTHS*	17' - 24'		
BODY LONGSILL WIDTH*	40.50" / 41.63"		
HYDRAULIC SYSTEMS	FLOW (RECOMMENDED)	21.0 GPM	
	RELIEF PRESSURE	4,650 PSI	
	HYDRAULIC RESERVOIR	25 gal	
LIFT CYLINDER	QUANTITY	2	
	BORE	Ø 6"	
	STROKE	85.25"	
JIB CYLINDER	QUANTITY	1	
	BORE	Ø 4"	
	STROKE	52"	
TRUCK SPECS (RECOMMENDED)	GVWR RANGE*	50,000 lb or greater	
	CAB-AXLE DIM.* (SINGLE AXLE)	—	
	CAB-TRUNNION DIM. (TANDEM AXLE)	178" - 190"	
	CLEAR FRAME RAIL*	248"	
	FRAME HEIGHT	up to 45"	

\*See All-Model Specifications literature for further information.

\*\*Weight includes base hoist with installation kit and cylinder oil.



📍 1800 NE Broadway Avenue, Des Moines, IA 50313-2644  
 ☎ 515-266-3042 📞 888-767-8000 🌐 www.swaploader.com

© 2026 Swaploader U.S.A. Ltd. All rights reserved. SWL-970-SL-520X-HYD 04.10.26